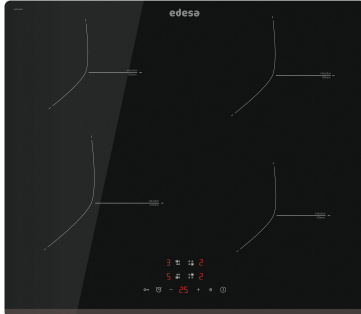


# edesa

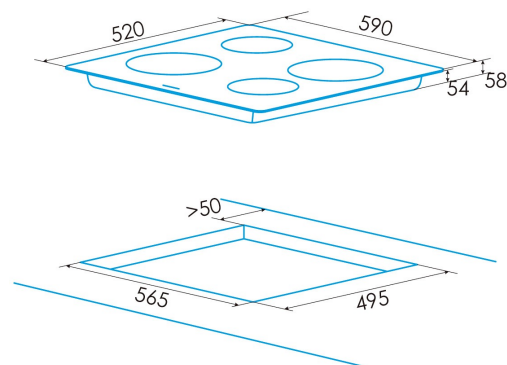
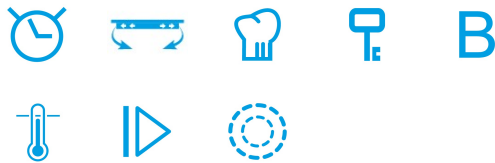
INDUCTION HOBS



## EIT-6422 B

Cod. 922272083

EAN 8422248355841



### GENERAL INFORMATION

EAN/UPC	8422248355841
Subfamily	Induction

### Product sheet

Number of cooking zones	4
Zone 1: Technology	Induction
Zone 1: Type of zone	Simple
Zone 1: Position	Front Left
Zone 1: Zone diameter (mm)	21
Zone 1: Power (kW)	2,3
Zone 1: Consumption (Wh / kg)	182,9
Zone 2: Technology	Induction
Zone 2: Type of zone	Simple
Zone 2: Position	Rear Left
Zone 2: Zone diameter (mm)	16
Zone 2: Power (kW)	1,2
Zone 2: Consumption (Wh / kg)	183,4
Zone 3: Technology	Induction
Zone 3: Type of zone	Simple
Zone 3: Position	Rear Right
Zone 3: Zone diameter (mm)	18
Zone 3: Power (kW)	1,8
Zone 3: Consumption (Wh / kg)	180,8
Zone 4: Technology	Induction
Zone 4: Type of zone	Simple
Zone 4: Position	Front Right
Zone 4: Zone diameter (mm)	16
Zone 4: Power (kW)	1,2
Zone 4: Consumption (Wh / kg)	195,4

### Dimensions

Width (mm)	590
Height (mm)	58
Depth (mm)	520
Built-in width (mm)	565
Built-in depth (mm)	495
Easy installation system	Quick Fix

### Finishing

Material	Glass
Bevel	No
Frame	No
Cooking supports	N/A

### Control

Control type	Mono Touch
Control position	Front Centre
Independent zone control	-
Hidden control	-
Power levels	9 + Booster
Knob type	N/A
Cooking time programming	√
Countdown alarm	√
Power management	√
Available power limits (kW)	1.5 / 2.8 / 3.3 / 4.5 / 5.3
Connectivity	No
Autoignition	N/A

### Safety

Safety lock	√
Child lock	Yes (Key)
Residual heat indicator	√
Automatic cookware detection	√
Smart cookware detection	-
Automatic safety shutdown	√
Liquid spill detection	√
Safety valve	-

### Electrical connection

Nominal voltage (V)	220-240
Nominal frequency (Hz)	50/60
Nominal input power (W)	7000
Multiphase connection option	2 phases
Plug type	No plug