



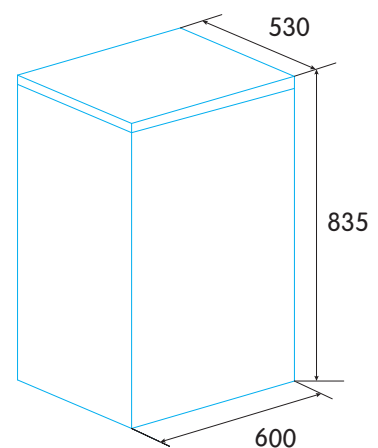
NEW

EZH-0911 - White

Ean-13: 8422248100748 - Cod.: 928271175

- » Defrost Technology horizontal freezer
- » Energy efficiency E
- » Climate class SN/N/ST/T (10-43°)
- » Temperature regulation
- » Easy clean interior
- » Open door alarm
- » Noise level: 47 dB(A)
- » 60 W power consumption
- » Net capacity (l): 88
- » Electric consumption : 162 kW/year

* measurements in mm



ENERGY
EFFICIENCY



WITH
PLUG