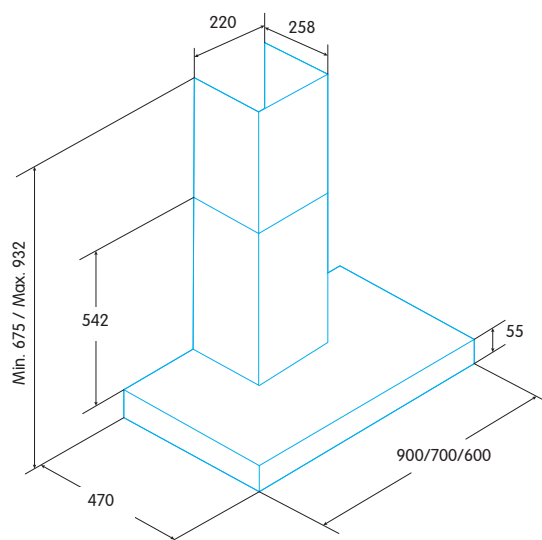



ECB-9411 X - 90 cm - S. steel
Ean-13: 8435436108686 - Cod.: 932271886
ECB-7411 X - 70 cm - S. steel
Ean-13: 8435436108693 - Cod.: 932271887
ECB-6411 X - 60 cm - S. steel
Ean-13: 8435436108709 - Cod.: 932271888

- » 90/70/60 cm wide box decorative hood with 5,5 cm wide frontal
- » C energetic efficiency class
- » 3 extraction levels
- » Mechanic knobs control panel
- » 95 W motor, K7plus
- » Max / Min extraction rate: 400 / 210 m³/h
- » Max / Min noise levels: 62 / 50 dB(A)
- » 2 lighting LED lamps, e14
- » Standard metallic filter with plastic handle washable in dishwasher
- » Optional Carbon filter accesory: 02859394
- » Optional washable carbon filter accesory: 02800918
- » Decorative extension tube accesory: 02861302
- » Back draught shutter accesory included

* measurements in mm



LED LIGHT



WITH PLUG