



ECP-9611 X - 90 cm - S. steel

Ean-13: 8435436112522 - Cod.: 932271915

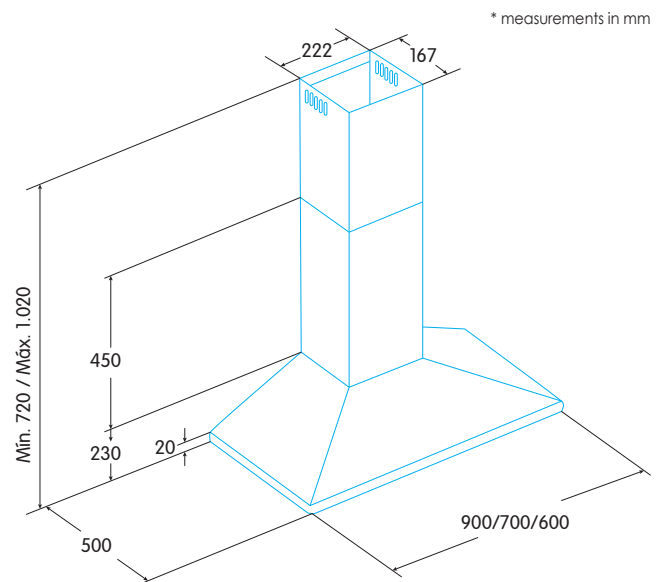
ECP-7611 X - 70 cm - S. steel

Ean-13: 8435436112539- Cod.: 932271916

ECP-6611 X - 60 cm - S. steel

Ean-13: 8435436112546 - Cod.: 932271917

- » 90/70/60 cm wide pyramide decorative hood
- » C energetic efficiency class
- » 3 extraction levels
- » Mechanic knobs control panel
- » 270 W motor, TA
- » Max / Min extraction rate: 645 / 385 m³/h
- » Max / Min noise levels: 71,8 / 57,8 dB(A)
- » 2 lighting ECOLED lamps, A class
- » Standard metallic filter with plastic handle washable in dishwasher
- » Optional Carbon filter accesory: 02859391
- » Optional washable carbon filter accesory: 02800918
- » Decorative extension tube accesory: 02862301
- » Back draught shutter accesory included



LIGHT EFFICIENCY



ECOLED LIGHT



WITH PLUG